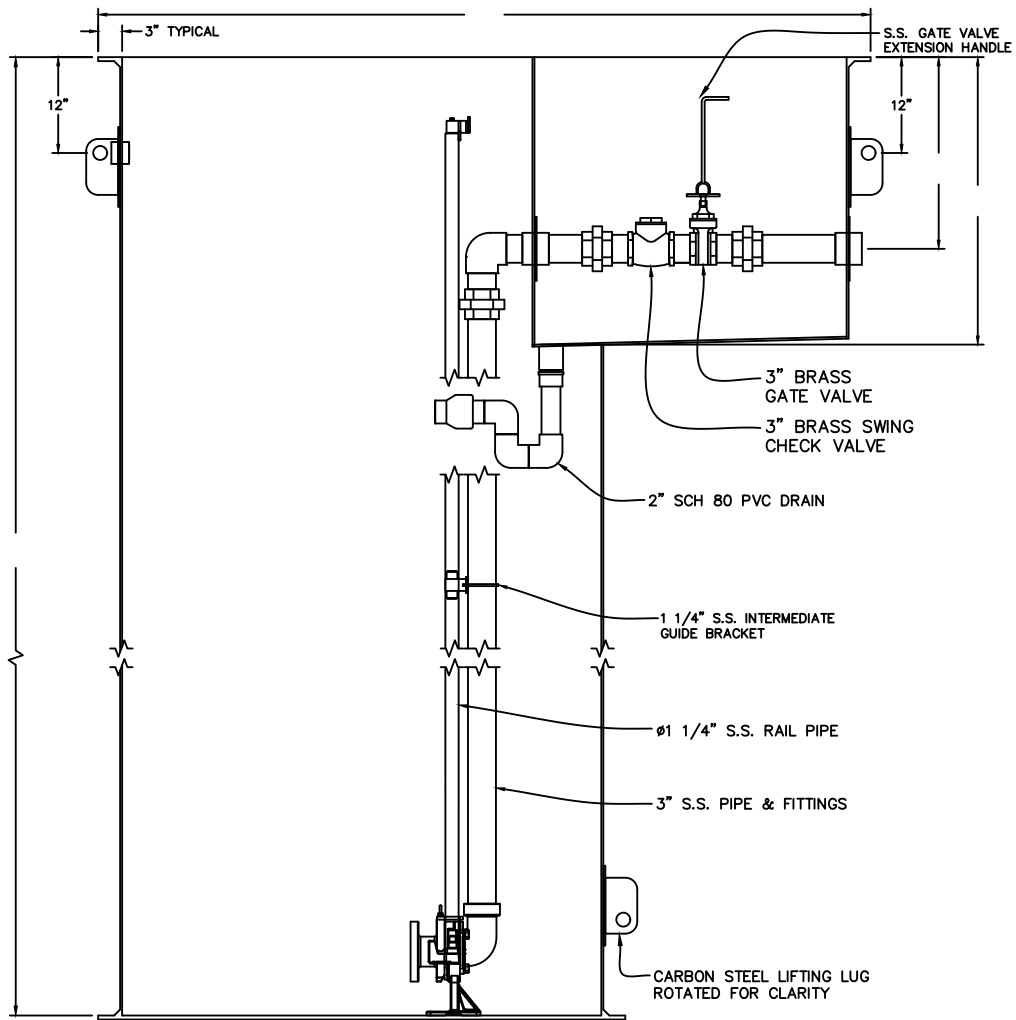


PLAN VIEW



SECTIONAL ELEVATION VIEW



STEELE PLASTICS, INC.
 1280 Sturgis Rd.
 Conway, AR 72034
 (501) 327-5122 Fax (501) 327-0807

TITLE VALVE BOX ATTACHED PACKAGE SIMPLEX 20' - 3" S.S. PIPE	
PROJECT	JOB NO.
CUSTOMER	P.O. NO.
	DWG. NO. PFS300H-VBA-SS20