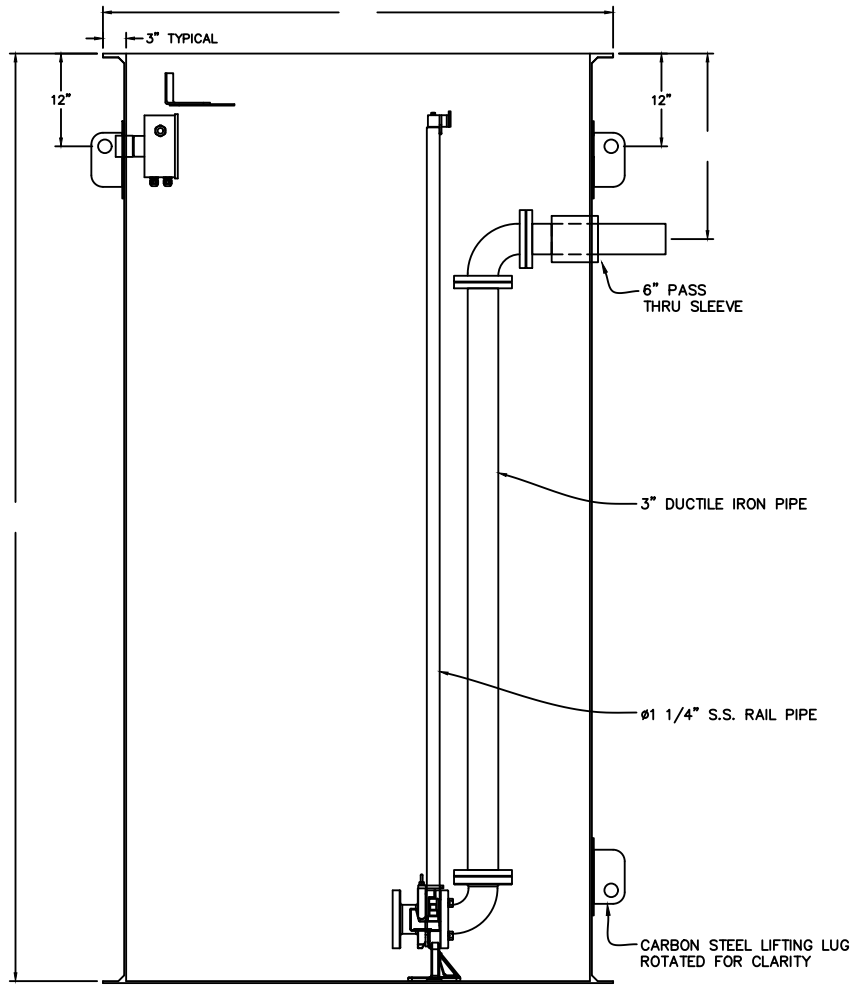


PLAN VIEW



SECTIONAL ELEVATION VIEW



STEELE PLASTICS, INC.  
 1280 Sturgis Rd.  
 Conway, AR 72034  
 (501) 327-5122 Fax (501) 327-0807

TITLE PACKAGE DUPLEX 3" NO VALVES - D.I. 10'	
PROJECT	JOB NO.
CUSTOMER	P.O. NO.
	DWG. NO. PFD300H-NV-DI10