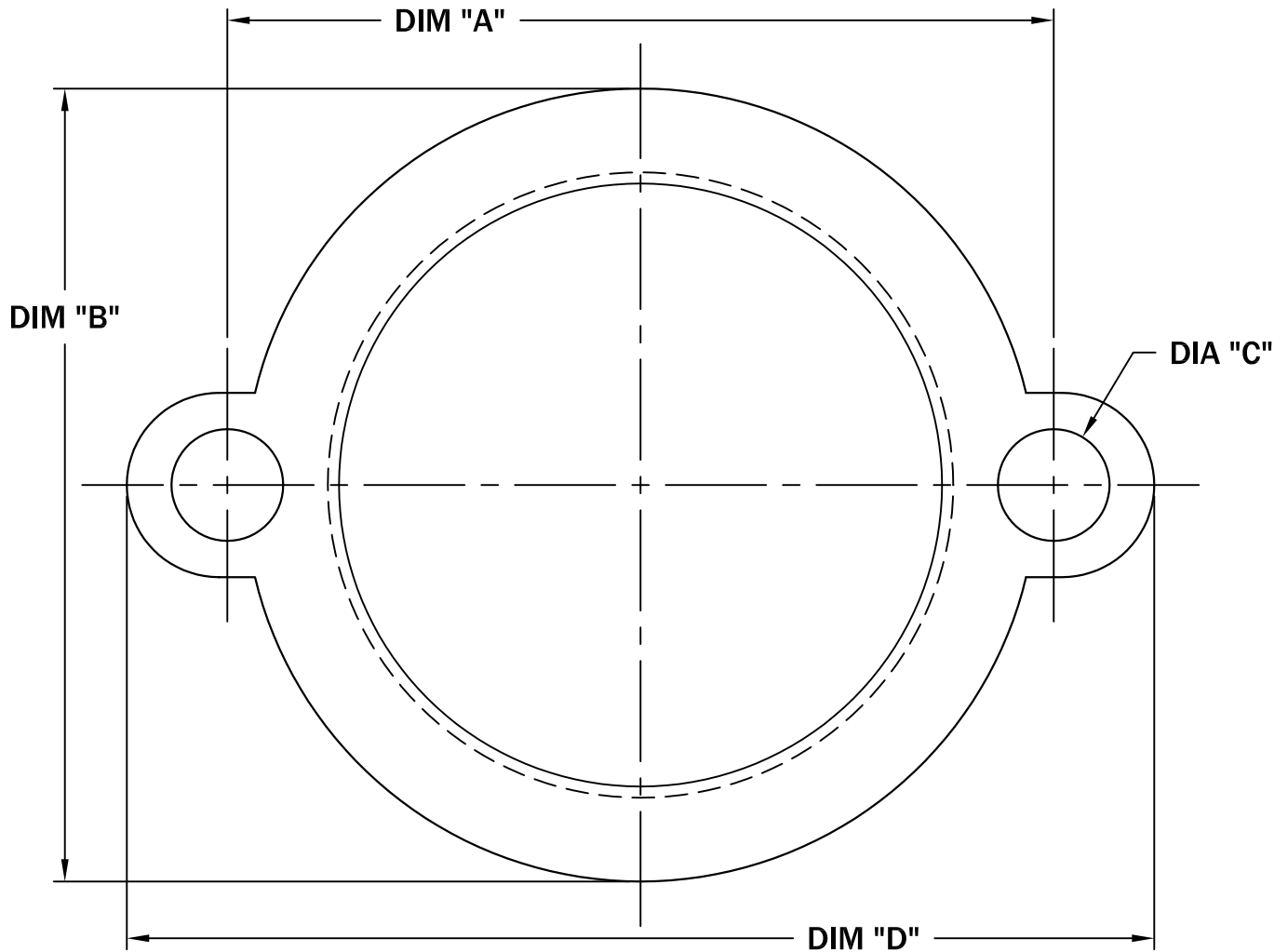


**NOTE: FOR DIMENSIONS ON TANK VENTS:  
SEE TANK VENT SPECIFICATION SHEET.  
SEE BELOW FOR MOUNTING FLANGE DIMENSIONS.  
CLOSE NIPPLES ARE SCHEDULE 80 PVC.**

**TANK VENT KIT**

PAGE  
1



NPT SIZE	DIM. "A"	DIM. "B"	DIA. "C"	DIM. "D"	THICKNESS
2"	4 5/8"	4 1/8"	1/2"	5 13/16"	11/16"
3"	4 5/8"	4 7/16"	5/8"	5 3/4"	63/64"
4"	5 3/4"	5 7/16"	5/8"	6 7/8"	1 7/32"

ALL INFORMATION CONTAINED IN THIS DRAWING IS  
CONFIDENTIAL AND PROPRIETARY TO CONERY MFG, INC.



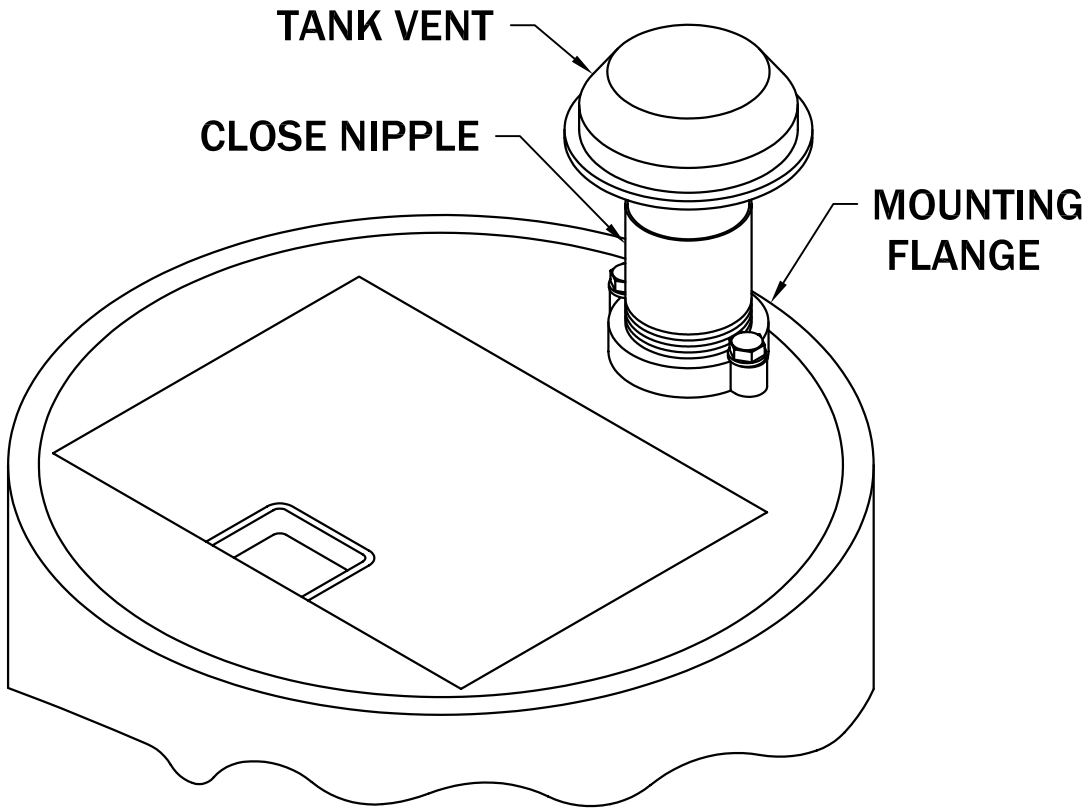
CHANGES	TOLERANCES	DRAWN BY	DATE	SPECIFICATION SHEET DIMENSIONAL DATA	
F	DECIMALS .xxx = ±.005 .xx = ±.010 FRACTIONAL x/x = ±.1/64 ANGLES x° = ±1/2°	D. MIDDLETON	03/22/04		
E		MATERIAL SPECIFICATION:  AS NOTED		FULL	TANK VENT KIT
D					
C					
B					
A					

**FEATURES: RIGID WELDED STEEL CONSTRUCTION WITH DURABLE POWDER COAT FINISH.**

**EPOXY SEALED BRONZE SCREEN PREVENTS INSECTS FROM ENTERING BASIN OR TANK.**

**MOUNTING FLANGE AND CLOSE NIPPLE ARE MADE FOR UV RESITANT THERMOPLASTIC TO PREVENT CORROSION.**

**ALL FLANGES ARE TWO BOLT MOUNTING DESIGN FOR QUICK AND EASY INSTALLATION.**



**TYPICAL MOUNTING**

ALL INFORMATION CONTAINED IN THIS DRAWING IS CONFIDENTIAL AND PROPRIETARY TO CONERY MFG, INC.



CHANGES	TOLERANCES	DRAWN BY	DATE
F	DECIMALS	D. MIDDLETON	03/22/04
E	.XXX = ±.005	MATERIAL SPECIFICATION:  AS NOTED	
D	.XX = ±.010		
C	FRACTIONAL		
B	X/X = ±.1/64		
A	ANGLES X° = ±1/2°		

SPECIFICATION SHEET DIMENSIONAL DATA	
SCALE:	PART NO.
FULL	TANK VENT KIT