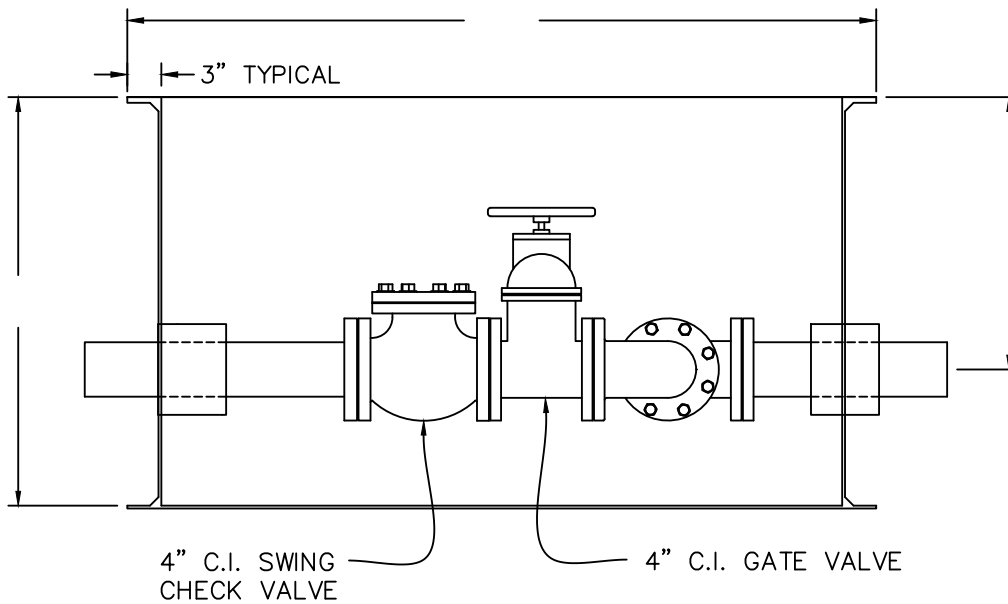


4" DUCTILE IRON  
PIPE & FITTINGS

8" I.D. FRP PASS  
THRU SLEEVE

PLAN VIEW



4" C.I. SWING  
CHECK VALVE

4" C.I. GATE VALVE

SECTIONAL ELEVATION VIEW



STEELE PLASTICS, INC.  
1280 Sturgis Rd.  
Conway, AR 72034  
(501) 327-5122 Fax (501) 327-0807

TITLE VALVE BOX PACKAGE DUPLEX - 4" D.I. PIPE	
PROJECT	JOB NO.
CUSTOMER	P.O. NO.
	DWG. NO. PVBD400-DI