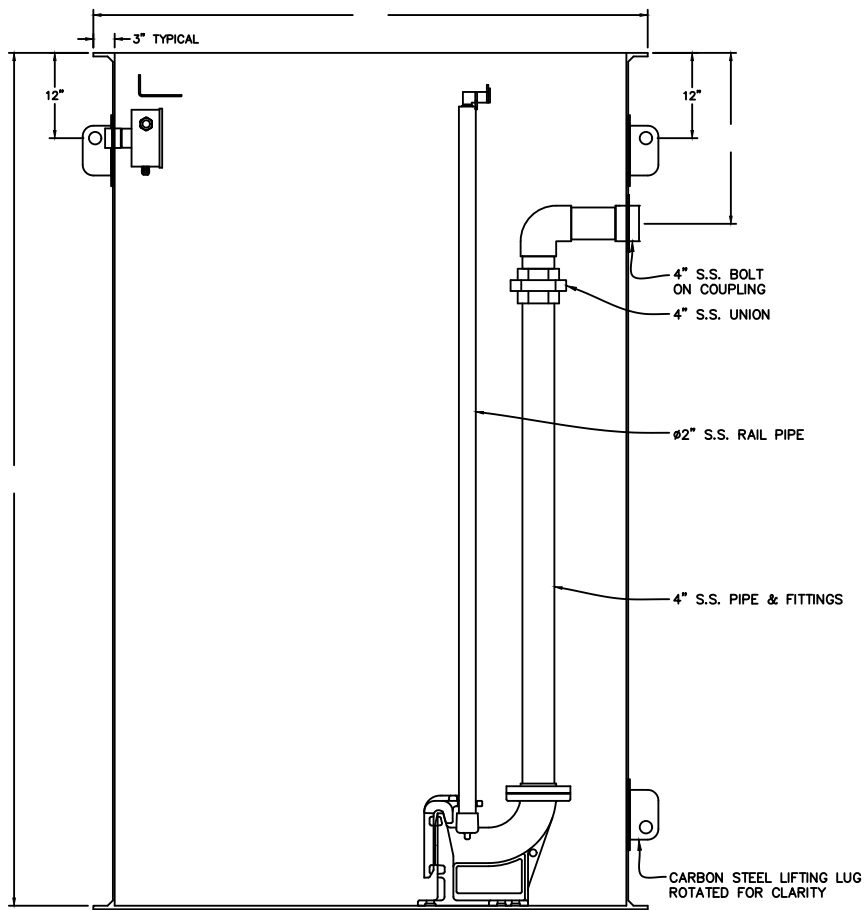


PLAN VIEW



SECTIONAL ELEVATION VIEW



STEELE PLASTICS, INC.
 1280 Sturgis Rd.
 Conway, AR 72034
 (501) 327-5122 Fax (501) 327-0807

TITLE	PACKAGE SIMPLEX 4" NO VALVES – S.S. 10'		
PROJECT			JOB NO.
			P.O. NO.
CUSTOMER	DWG. NO. PFS400-NV-SS10		