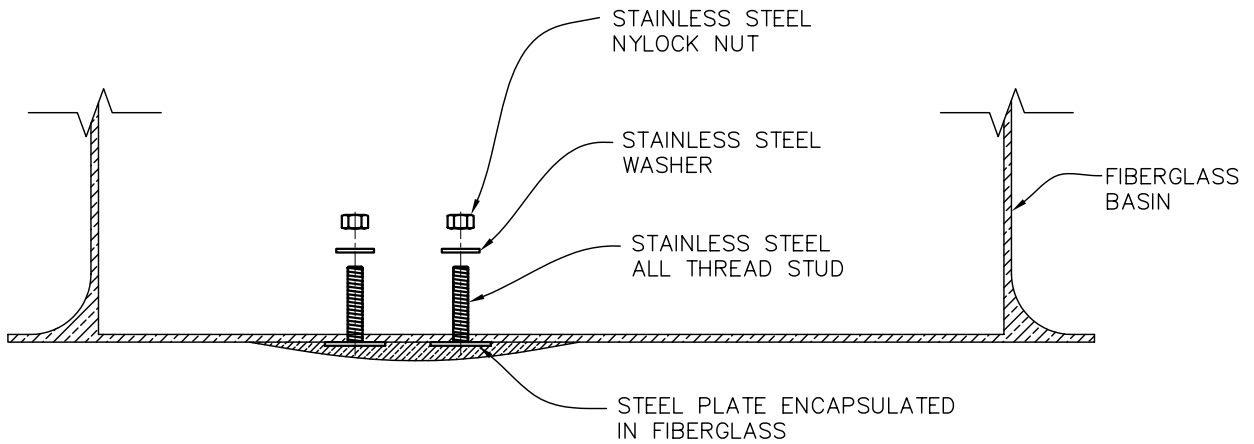


NOTE:

STUD QUANTITY, SIZE, AND
LOCATION REQUIRED FOR
INSTALLATION OF RAIL BASES



STEELE PLASTICS, INC.
P.O. Box 1076 / 1280 Sturgis Rd.
Conway, AR 72033
(501) 327-5122 Fax (501) 327-0807

TITLE		TYPICAL STAINLESS STEEL STUD INSTALLATION	
PROJECT		JOB NO.	
CUSTOMER		P.O. NO.	
		DWG. NO. STUD-AR 30309	