

Ball Check Valve

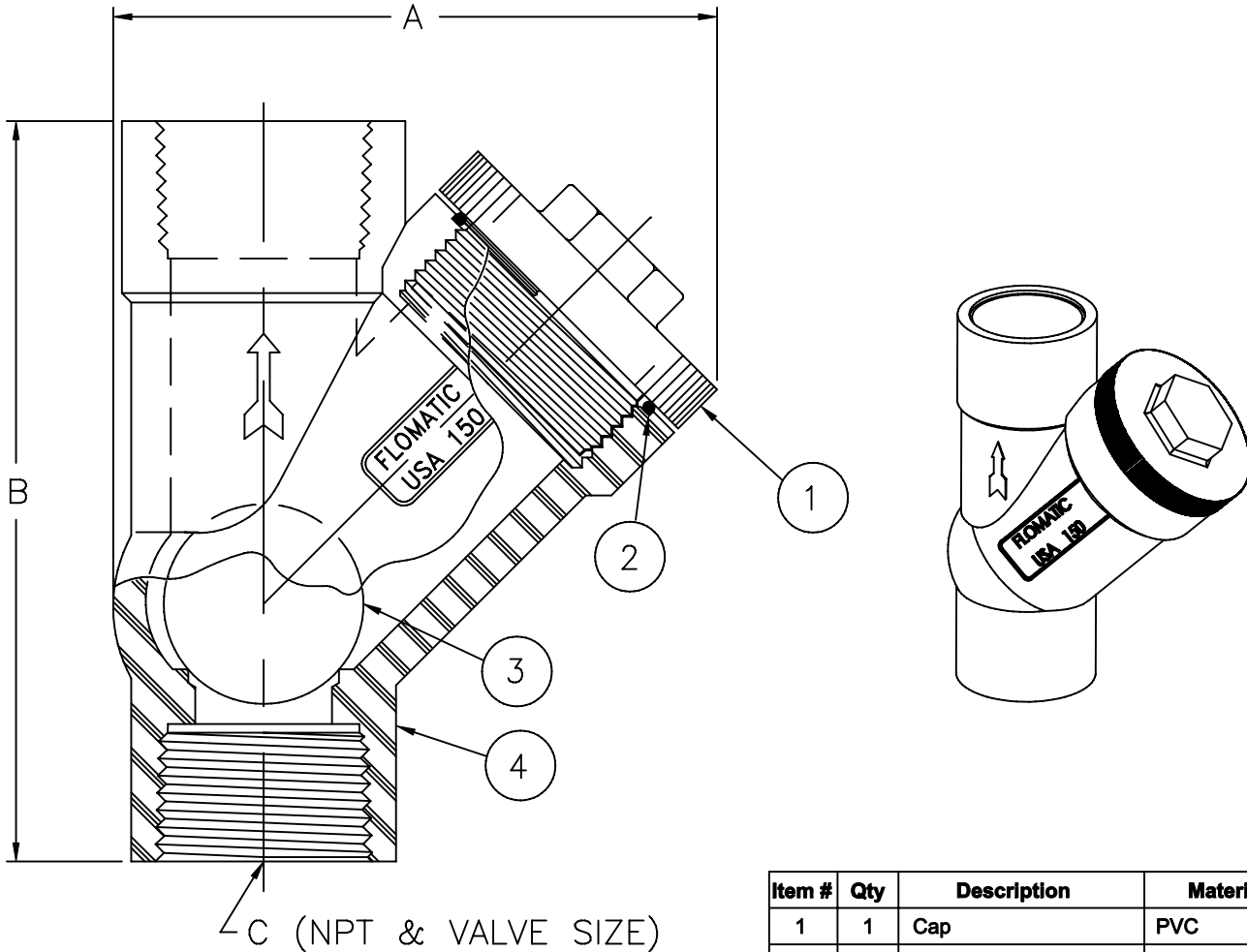
Model 208T



Sizes 1" Thru 2" / 25mm thru 50mm

Materials

NOTE: PLASTIC VALVES SHOULD NOT BE BURIED UNDERGROUND



Item #	Qty	Description	Material
1	1	Cap	PVC
2	1	O'Ring	Buna-n
3	1	Ball (Sinking)	Buna-n
4	1	Body	PVC
5	2	Bushing (not shown)	PVC

*Uses bushing not shown
 Max Temp 150°F (65°C)
 Max Inlet Pressure 100 psi (7 bar)

Dimensions

Size		Part #	A		B		Weight	
Inch	mm		Inch	mm	Inch	mm	lbs	kg
1	25	2131-T*	6-27/32	174	4-1/2	114	1	.45
1-1/4	32	2132-T	5-21/32	144	4-1/2	114	1	.45
1-1/2	40	2133-T*	8-13/64	208	6-11/32	161	2	.91
2	50	2134-T	7-1/16	179	6-11/32	161	2	.91

Danfoss Flocmatic can accept no responsibility for possible errors in catalogues, brochures and other printed material. Danfoss Flocmatic reserves the right to alter its products without notices. This also applies to product already agreed. All trademarks in this material are property of the respective companies. Danfoss and the logotype are trademarks of Danfoss A/S. All right reserved. ©2008 Danfoss Flocmatic Corporation. The drawings & information on this drawing sheet are the sole & exclusive property of Danfoss Flocmatic Corporation. Any reproduction, distribution, display or use