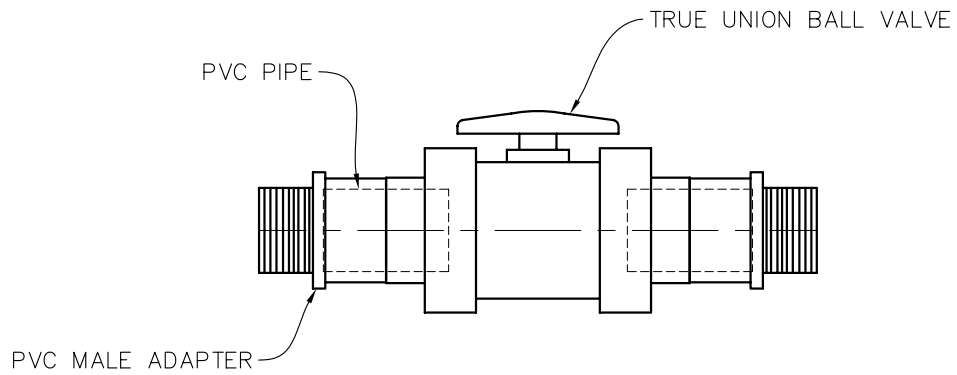


TOP VIEW



SIDE VIEW



STEELE PLASTICS, INC.  
 P.O. Box 1076 / 1280 Sturgis Rd.  
 Conway, AR 72033  
 (501) 327-5122 Fax (501) 327-0807

|  |                   |
|--|-------------------|
| TITLE 1 1/4" DIA. PVC SIMPLEX MANIFOLD |                   |
| PROJECT                                | JOB NO.           |
| CUSTOMER                               | P.O. NO.          |
|  | DWG. NO. MA-PS125 |