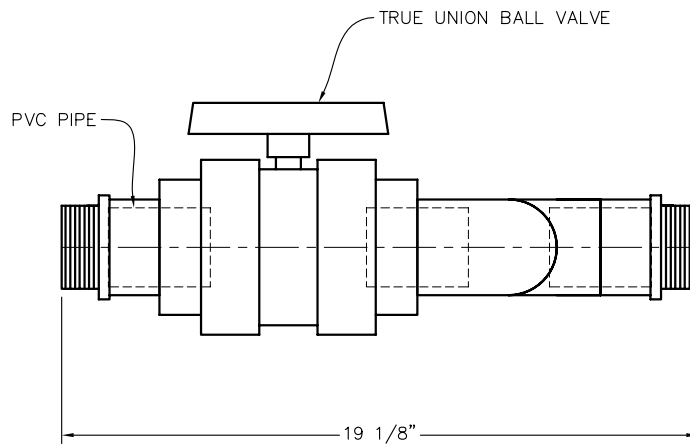


TOP VIEW



SIDE VIEW



STEELE PLASTICS, INC.
 P.O. Box 1076 / 1280 Sturgis Rd.
 Conway, AR 72033
 (501) 327-5122 Fax (501) 327-0807

TITLE		2" PVC DUPLEX MANIFOLD	
PROJECT		JOB NO.	
CUSTOMER		P.O. NO.	
		DWG. NO.	MA-PD200