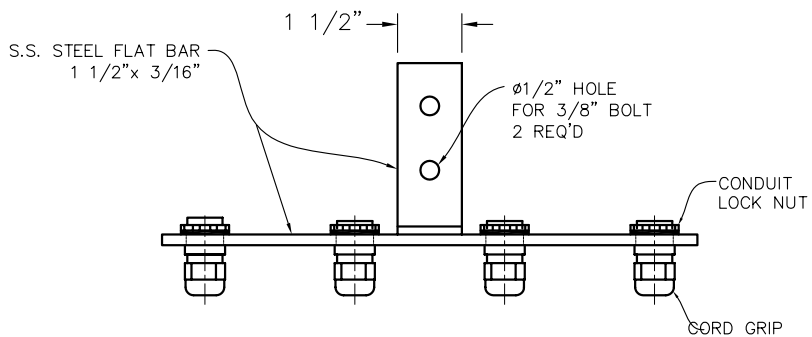
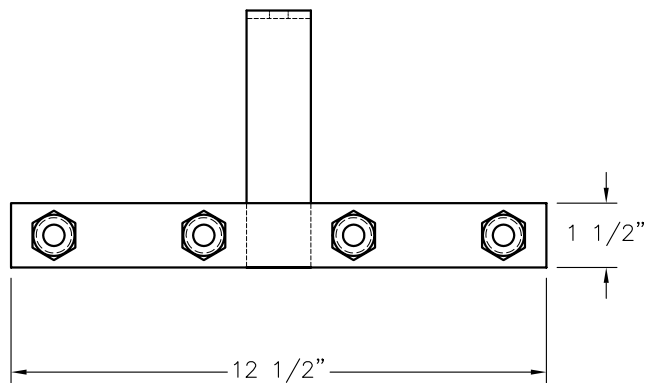


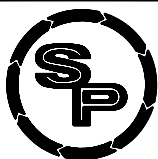
SIDE VIEW



FRONT VIEW



BOTTOM VIEW



STEELE PLASTICS, INC.  
 P.O. Box 1076 / 1280 Sturgis Rd.  
 Conway, AR 72033  
 (501) 327-5122 Fax (501) 327-0807

TITLE STAINLESS STEEL 4 HOLE MFS FLOAT BRACKET

PROJECT

JOB NO.

PART NO.

CUSTOMER

DWG. NO.

FLTBKT-4