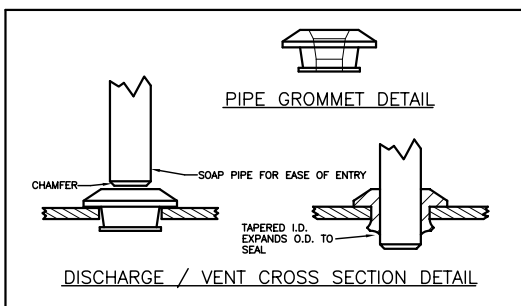


NOTES:

EXTERIOR OF COVER SHALL BE A TAN POLYESTER GELCOAT.



DIMENSIONAL DATA

FOR BASIN DIA. "A"	"B"	"D"	"E"	"F"	"G"	"H"
30"	36"	32 1/2"	16"	18"	1 1/4", 1 1/2", 2", 3", 4"	1 1/4", 1 1/2", 2", 3"
36"	42"	38 1/2"	16"	18"	1 1/4", 1 1/2", 2", 3", 4"	1 1/4", 1 1/2", 2", 3", 4"



STEELE PLASTICS, INC.
 P.O. Box 1076 / 1280 Sturgis Rd.
 Conway, AR 72033
 (501) 327-5122 Fax (501) 327-0807

TITLE DUPLEX FIBERGLASS PUMP COVER

PROJECT

JOB NO.

P.O. NO.

CUSTOMER

DWG. NO.

CVFDUP