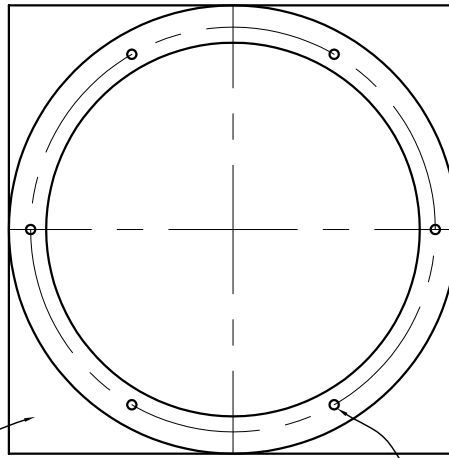
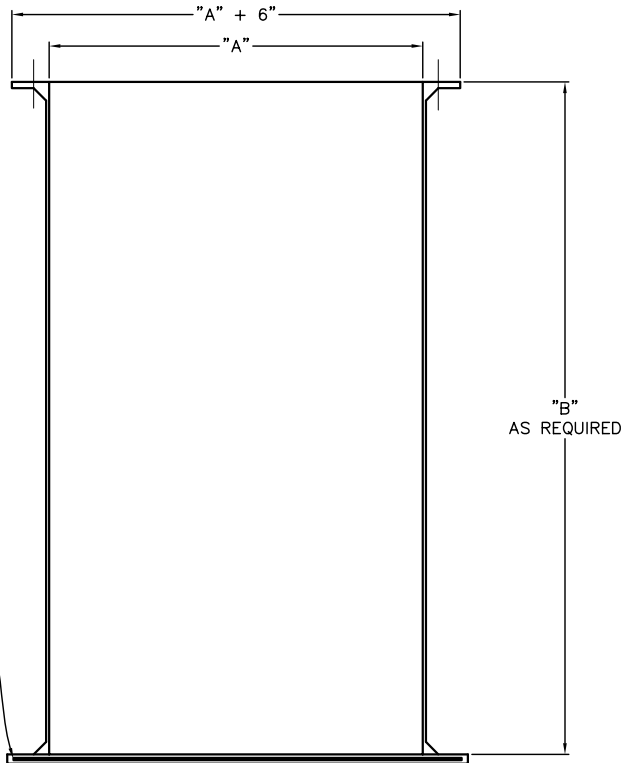


SQUARE STEEL  
ANTI-FLOATATION FLANGE

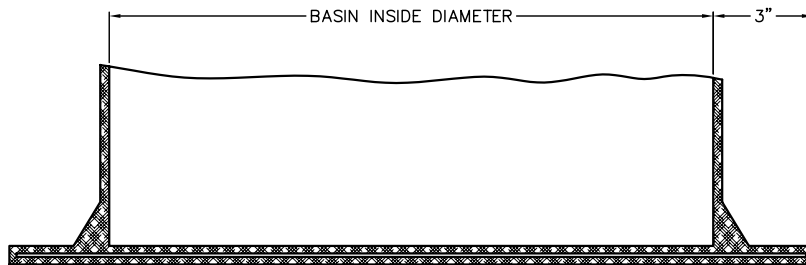


(6) 3/8"-16 TAPPED S.S.  
INSERTS ON "D" BOLT CIRCLE



3/16" A-36 CARBON  
STEEL PLATE

DIMENSIONAL DATA		
"A"	"B"	"D"
24"		26 1/2"
30"		32 1/2"
36"		38 1/2"
42"		44 1/2"
48"		51"
54"		57"
60"		63"
72"		75"



BOTTOM ANTI-FLOATATION FLANGE



STEELE PLASTICS, INC.  
P.O. Box 1076 / 1280 Sturgis Rd.  
Conway, AR 72033  
(501) 327-5122 Fax (501) 327-0807

TITLE STRAIGHT WALL BASIN WITH STEEL ANTI-FLOATATION FLANGE

PROJECT

JOB NO.

P.O. NO.

CUSTOMER

DWG. NO.

404S-SA