

FLOAT SWITCH – CONTROL DUTY

2900 MECHANICAL SERIES – NARROW ANGLE FLOAT SWITCH

GENERAL

DESIGNED FOR ACCURATE LIQUID LEVEL CONTROL IN MANY APPLICATIONS INCLUDING POTABLE WATER OR SEWAGE ENVIRONMENTS. THE FLOAT SWITCH CAN BE UTILIZED TO SIGNIFY SPECIFIC WATER LEVELS OR FOR DIRECT ALARM ACTUATION.

SWITCH VARIATIONS

NORMALLY OPEN (N/O)

THE CONTACTS ARE OPEN (OR OFF) IN THE HANGING POSITION. AS THE FLOAT RISES 1" (5°) ABOVE HORIZONTAL, THE CONTACTS BECOME CLOSED AND ACTUATE (TURN ON) THE SWITCH. THIS FLOAT IS GENERALLY USED IN PUMP DOWN APPLICATIONS.

NORMALLY CLOSED (N/C)

THE CONTACTS ARE CLOSED (OR ON) IN THE HANGING POSITION. AS THE FLOAT RISES 1" (5°) ABOVE HORIZONTAL, THE CONTACTS BECOME OPEN AND ACTUATE (TURN OFF) THE SWITCH. THIS FLOAT IS GENERALLY USED IN PUMP UP APPLICATIONS.

SINGLE POLE, DOUBLE THROW (SPDT)

A VARIATION OF THE PREVIOUSLY LISTED SWITCHES. THIS FLOAT SWITCH CAN BE WIRED TO OPERATE AS EITHER (BUT NOT BOTH) A NORMALLY OPEN OR NORMALLY CLOSED SWITCH BASED ON THE USER'S NEED.

SWITCH SPECIFICATIONS

2900 SERIES MECHANICAL FLOAT SWITCHES ARE DESIGNED TO OPERATE UNDER THE FOLLOWING PARAMETERS.

MINIMUM OPERATING TEMPERATURE	-	32 DEGREES F.
MAXIMUM OPERATING TEMPERATURE	-	190 DEGREES F.
ELECTRICAL RATING	-	10 AMP – 120 VAC, 5 AMP – 240 VAC
ACTUATION POINT	-	1" ABOVE / BELOW HORIZONTAL.

POWER CORD SPECIFICATIONS

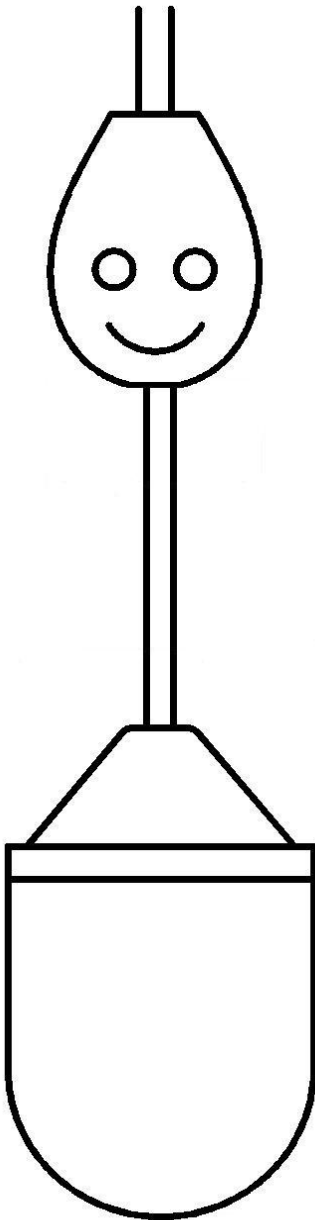
CONDUCTOR CORD – PHYSICAL	-	CHLORINATED POLY ETHYLENE.
ELECTRICAL FOR N/O OR N/C SWITCH	-	16 AWG 2, TYPE SJOW-300 VOLT.
ELECTRICAL FOR SPDT SWITCH	-	16 AWG 3, TYPE SJOW-300 VOLT.

FLOAT SPECIFICATIONS

DURABLE ABS MATERIAL CONSTRUCTION.
LEAK PROOF, SHOCK PROOF, AND IMPACT RESISTANT.
RESISTANT TO SEWAGE AND WASTEWATER APPLICATIONS.
FOR USE WITH INTRINSICALLY SAFE CIRCUITS.

CORD WEIGHT

ZINC PLATED CAST IRON – 1.22 LBS.
SPLIT WEIGHT DESIGN ALLOWS FOR EASY ADJUSTMENT.
DESIGN ALLOWS FOR SECURE AND PERMANENT ATTACHMENT TO CORD.

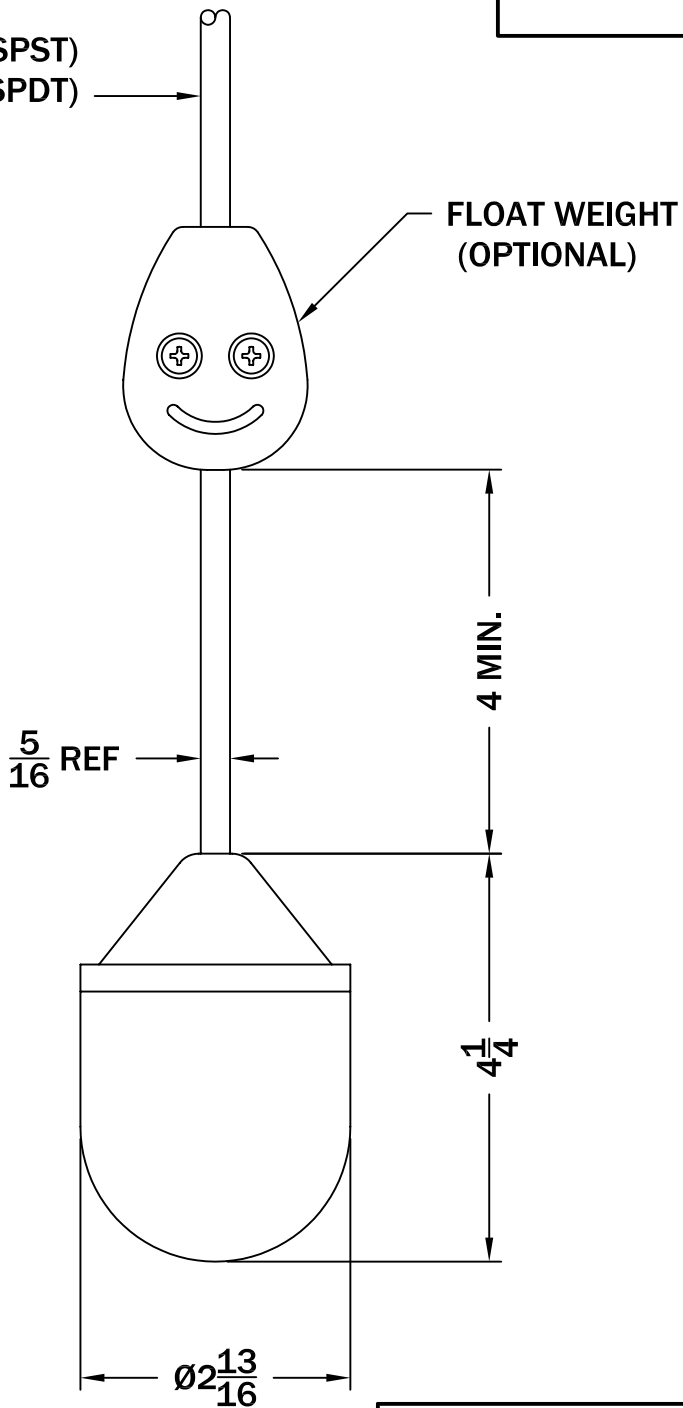


CONERY MFG INC
info@conerymfg.com

1380 ENTERPRISE PARKWAY
PH (419) 289-1444

ASHLAND, OH 44805
FAX (419) 281-0366

16/2 SJOW CABLE (SPST)
16/3 SJOW CABLE (SPDT)



ALL INFORMATION CONTAINED IN THIS DRAWING IS
CONFIDENTIAL AND PROPRIETARY TO CONERY MFG, INC.

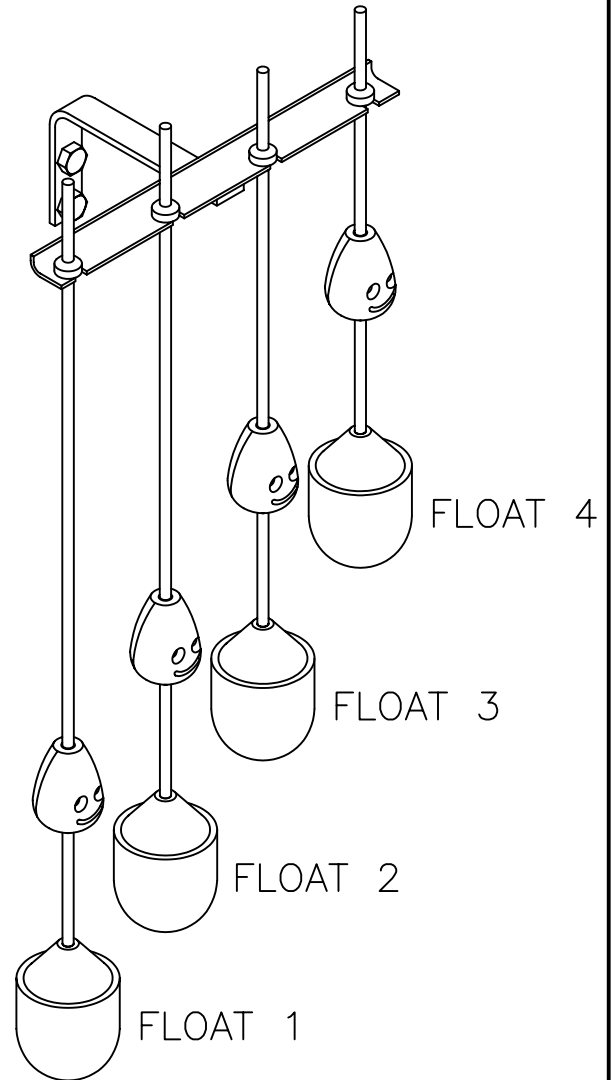
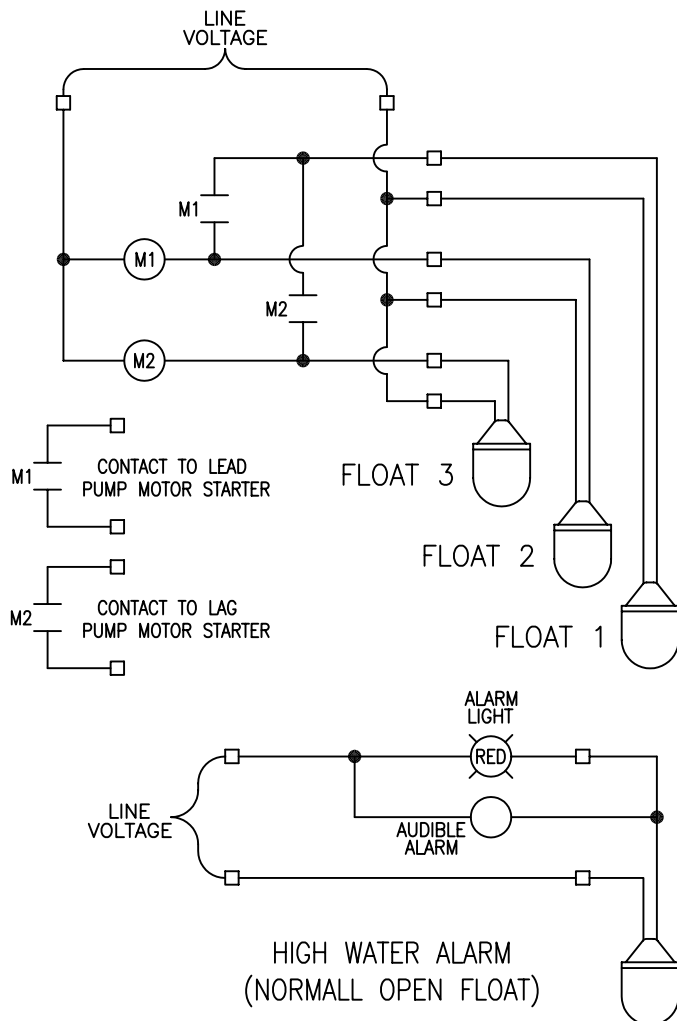


CHANGES	TOLERANCES	DRAWN BY	DATE	SPECIFICATION SHEET MECHANICAL FLOAT	
F	DECIMALS .xxx = ±.005 .xx = ±.010 FRACTIONAL x/x = ±.1/64 ANGLES x' = ±1/2'	D. MIDDLETON	02/20/04	SCALE:	PART NO.
E		MATERIAL SPECIFICATION: NARROW ANGLE MECHANICAL FLOAT		HALF	2900 SERIES B3
D					
C					
B					
A					

NOTE: ALL ELECTRICAL DIAGRAMS SHOWN ARE EXAMPLES ONLY,
 CONSULT WITH LOCAL ELECTRICAL AUTHORITIES AND CODES.
 DO NOT USE THESE PRODUCTS IN GASOLINE, VOLATILES,
 OTHER COMBUSTIBLES.

TYPICAL MOUNTING

FOR PUMP DOWN USE
 (NORMALLY OPEN FLOATS)
 FOR PUMP UP USE
 (NORMALLY CLOSED FLOATS)



ALL INFORMATION CONTAINED IN THIS DRAWING IS
 CONFIDENTIAL AND PROPRIETARY TO CONERY MFG, INC.



CHANGES	TOLERANCES	DRAWN BY	DATE	SPECIFICATION SHEET MECHANICAL FLOAT	
F	DECIMALS .XXX = ±.005 .XX = ±.010 FRACTIONAL X/X = ±.1/64 ANGLES X° = ±1/2°	D. MIDDLETON	02/20/04	SCALE:	PART NO.
E		MATERIAL SPECIFICATION: NARROW ANGLE MECHANICAL FLOAT		NONE	2900 SERIES B3
D					
C					
B					
A					