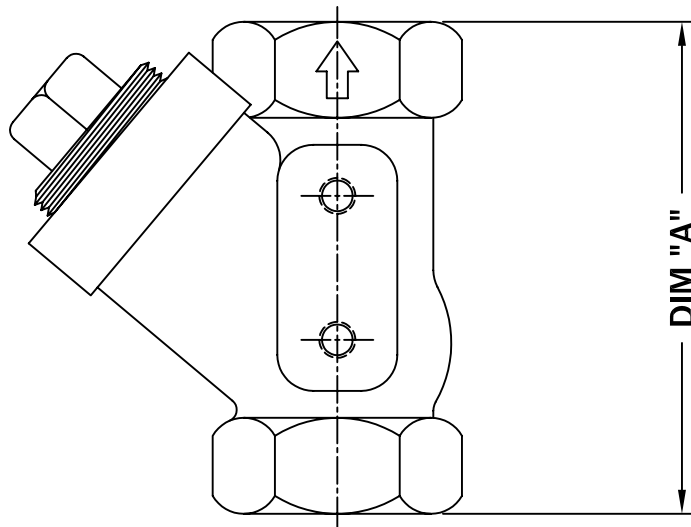
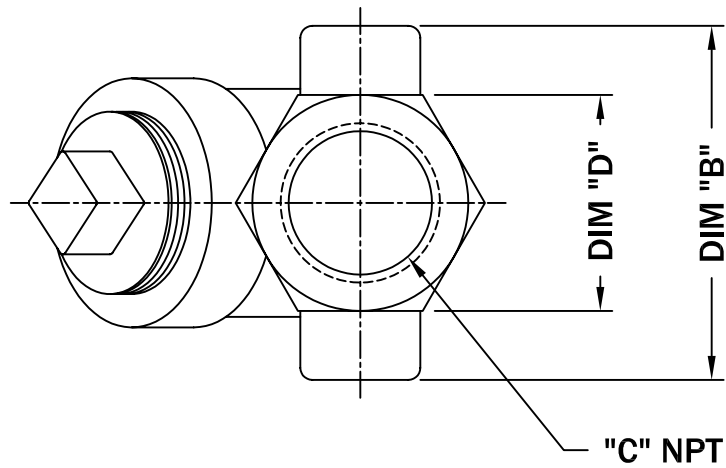


CIBV125 SHOWN

CHECK VALVE

PAGE
1

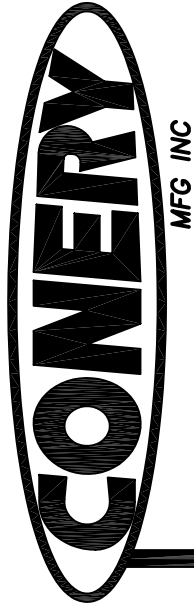


MODEL NO.	DIA. "A"	DIM "B"	"C" NPT	DIM "D"	MAX SOLIDS
CIBV125	5 1/8"	3 11/16"	1 1/4"	2 1/4"	Ø1 1/4"
CIBV150	6 3/4"	5 1/16"	1 1/2"	3 1/4"	Ø1 1/2"
CIBV200	6 3/4"	5 1/16"	2"	3 1/4"	2"

ALL INFORMATION CONTAINED IN THIS DRAWING IS CONFIDENTIAL AND PROPRIETARY TO CONERY MFG, INC.



CHANGES		TOLERANCES		DRAWN BY		DATE		SPECIFICATION SHEET DIMENSIONAL DATA			
F		DECIMALS .XXX = ±.005 .XX = ±.010 FRACTIONAL X/X = ±.1/64 ANGLES X° = ±1/2°		D. MIDDLETON		04/08/04					
E				MATERIAL SPECIFICATION: CAST IRON				SCALE:		PART NO.	
D								HALF		CAST IRON	
C											
B											
A											



FRICION LOSS

FRICION LOSS CHART (BALL CHECK VALVES)

